

8475 Straight Timber Entrance Pull Handles



Advantages at a glance

- 316 Marine Grade Stainless Steel
- Designed with your project's needs in mind
- High durability with concealed fixings
- Standard finishes: SSS and PSS
- Powdercoat and custom finishes available on request



AS1428 Compliant

dormakaba's Straight Timber Entrance Pull Handles crafted with precision and excellence in mind, these handles are designed to elevate your space with their superior quality and attention to detail.

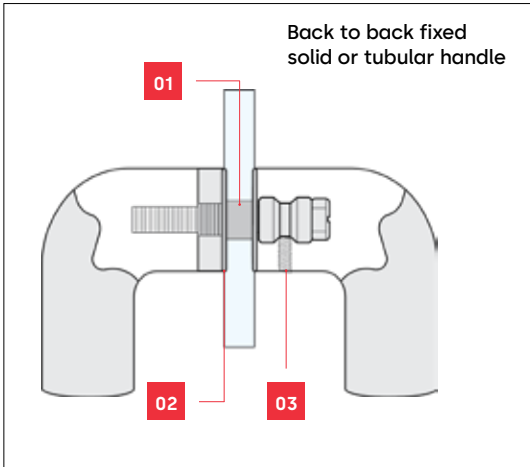
Crafted from durable 316 Marine Grade Stainless Steel complemented by timber sections, our handles offer a natural, warm feel and effortless usability. Upholding dormakaba's dedication to sustainability, the timber utilized in our entrance handles is responsibly sourced Victorian Ash certified by FSC. Furthermore, all metals employed can be recycled at the conclusion of the product's lifespan, aligning with our commitment to environmental stewardship.

The 8475 entrance pull handles are ideal for a variety of settings, from residential to commercial, these handles are versatile enough to be installed on glass, timber, and aluminium doors.

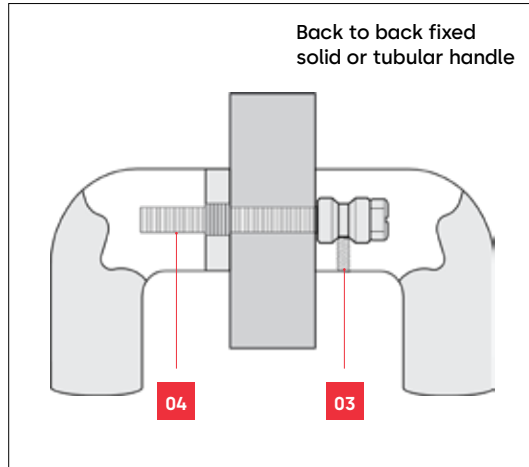
Refer to ordering details for a range of optional accessories to suit:

- Back to back extended fixing for timber doors
- Back to back fixing for glass doors
- Disc fixing for timber doors
- Disc fixing for glass doors
- Concealed fixing for timber doors

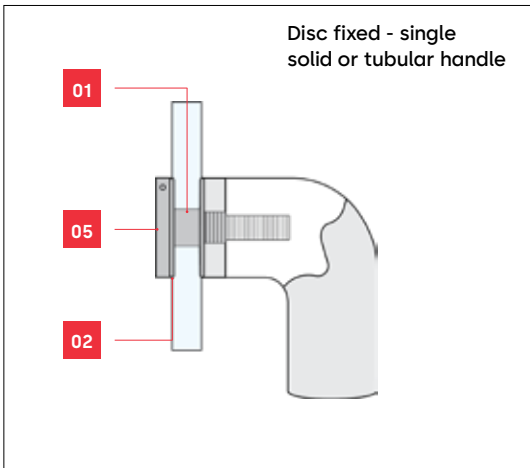
Fixing options



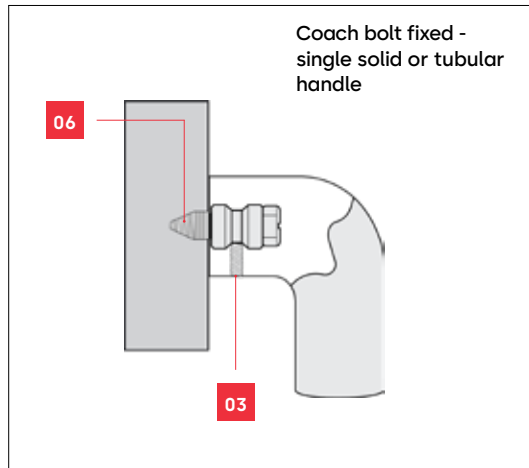
GD FIX - glass doors



TM FIX - timber or metal doors



D FIX - glass, metal or timber doors



C FIX - timber doors only

Note

Nylon spacers and washers are included with handle for glass door fixing option.

Legend

- 01** Spacer
- 02** Washer
- 03** Grub Screw
- 04** Bolt
- 05** Disc
- 06** Coach Bolt

TIMBER DOOR FIXING

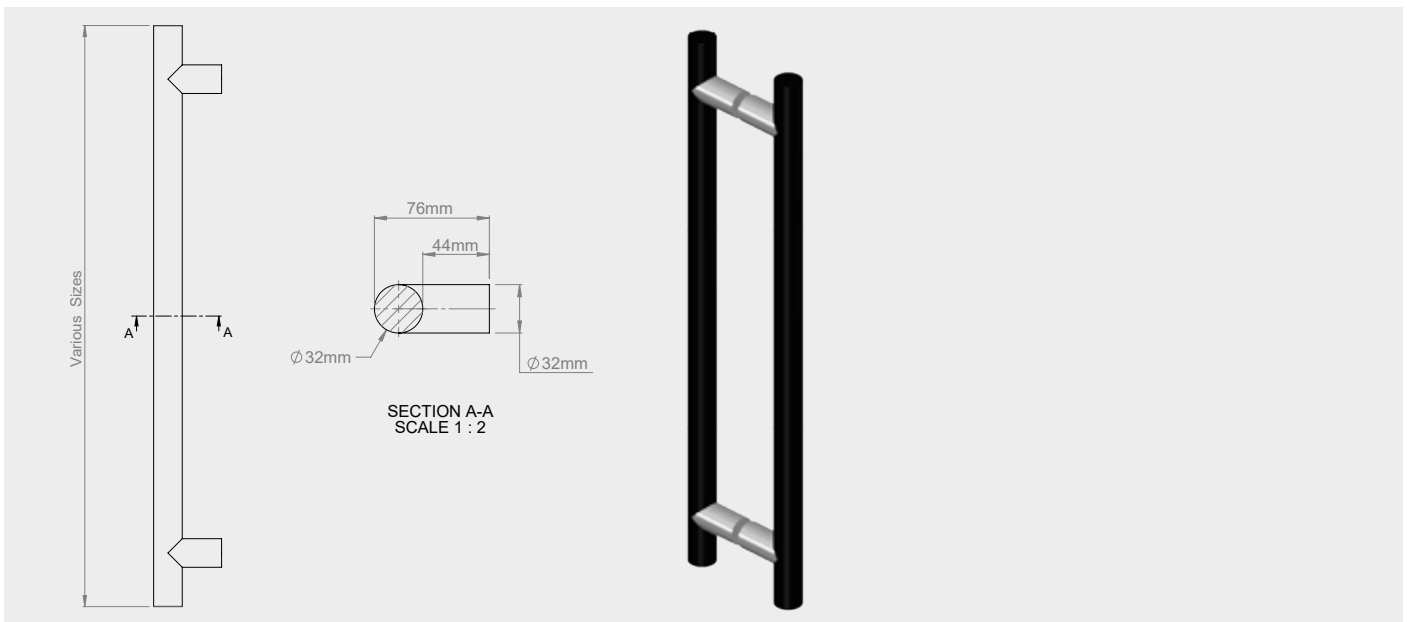
Material Size	Bolt Size
14mm Ø	5mm
16mm Ø	5mm
19mm Ø	8mm
25mm Ø	8mm
32mm Ø	8mm

METAL DOOR FIXING

Material Size	Bolt Size
14mm Ø	5mm
16mm Ø	5mm
19mm Ø	8mm
25mm Ø	8mm
32mm Ø	8mm

GLASS DOOR FIXING

Material Size	Bolt Size
14mm Ø	12mm Ø
16mm Ø	12mm Ø
19mm Ø	12mm Ø
25mm Ø	12mm Ø
32mm Ø	12mm Ø



8475 Straight Timber dimensions

Ordering details

Item	Article Number	Description	Diameter	Projection	Overall Length	Fixing Centres
BACK TO BACK FIXING						
B8475/S/32/SSS	9458473895151	B8475/S/32 OA 600 CTC 440 SSS	32mm	76mm	600	440
B8475/S/32/PSS	9458473895152	B8475/S/32 OA 600 CTC 440 PSS	32mm	76mm	600	440
B8475/S/32 SF	9400000016494	B8475/S/32 OA 600 CTC 440 SF	32mm	76mm	600	440
B8475/O/32/SSS	9458476085151	B8475/O/32 OA 1000 CTC 840 SSS	32mm	76mm	1000	840
B8475/O/32/PSS	9458476085152	B8475/O/32 OA 1000 CTC 840 PSS	32mm	76mm	1000	840
B8475/O/32 SF	9400000016493	B8475/O/32 OA 1000 CTC 840 SF	32mm	76mm	1000	840
B8475/M/32/SSS	9458476895151	B8475/M/32 OA 1200 CTC 1040 SSS	32mm	76mm	1200	1040
B8475/M/32/PSS	9458476895152	B8475/M/32 OA 1200 CTC 1040 PSS	32mm	76mm	1200	1040
B8475/M/32 SF	9400000016492	B8475/M/32 OA 1200 CTC 1040 SF	32mm	76mm	1200	1040
D8475/S/32/SSS	9458473895351	D8475/S/32 OA 600 CTC 440 SSS	32mm	76mm	600	440
D8475/S/32/PSS	9458473895352	D8475/S/32 OA 600 CTC 440 PSS	32mm	76mm	600	440
D8475/S/32 SF	9400000016543	D8475/S/32 OA 600 CTC 440 SF	32mm	76mm	600	440
D8475/O/32/SSS	9458476085351	D8475/O/32 OA 1000 CTC 840 SSS	32mm	76mm	1000	840
D8475/O/32/PSS	9458476085352	D8475/O/32 OA 1000 CTC 840 PSS	32mm	76mm	1000	840
D8475/O/32 SF	9400000016542	D8475/O/32 OA 1000 CTC 840 SF	32mm	76mm	1000	840
D8475/M/32/SSS	9458476895351	D8475/M/32 OA 1200 CTC 1040 SSS	32mm	76mm	1200	1040
D8475/M/32/PSS	9458476895352	D8475/M/32 OA 1200 CTC 1040 PSS	32mm	76mm	1200	1040
D8475/M/32 SF	9400000016541	D8475/M/32 OA 1200 CTC 1040 SF	32mm	76mm	1200	1040
C8475/S/32/SSS	9458473895251	C8475/S/32 OA 600 CTC 440 SSS	32mm	76mm	600	440
C8475/S/32/PSS	9458473895252	C8475/S/32 OA 600 CTC 440 PSS	32mm	76mm	600	440
C8475/S/32 SF	9400000016515	C8475/S/32 OA 600 CTC 440 SF	32mm	76mm	600	440
C8475/O/32/SSS	9458476085251	C8475/O/32 OA 1000 CTC 840 SSS	32mm	76mm	1000	840
C8475/O/32/PSS	9458476085252	C8475/O/32 OA 1000 CTC 840 PSS	32mm	76mm	1000	840
C8475/O/32 SF	9400000016514	C8475/O/32 OA 1000 CTC 840 SF	32mm	76mm	1000	840
C8475/M/32/SSS	9458476895251	C8475/M/32 OA 1200 CTC 1040 SSS	32mm	76mm	1200	1040
C8475/M/32/PSS	9458476895252	C8475/M/32 OA 1200 CTC 1040 PSS	32mm	76mm	1200	1040
C8475/M/32 SF	9400000016513	C8475/M/32 OA 1200 CTC 1040 SF	32mm	76mm	1200	1040

ACCESSORIES - EXTENDED FIXINGS - sold as a pair

TM/M8/50	9459508058200	M8/50 FERULE HEAD BOLT TM FIX	<p>Note: When ordering extended fixings please use the below formula.</p> <p>Door thickness + 20mm for the Ferule + 10mm in to the other handle = round up to the nearest size offered.</p> <p>• For single sided internal fixing, a disc fixing kit is required</p>
TM/M8/75	9459758078200	M8/75 FERULE HEAD BOLT TM FIX	
TM/M8/90	9400000012887	M8/90 BOLT & 16MM FERULE TM FIX	
TM/M8/100	9400000012888	M8/100 BOLT & 16MM FERULE TM FIX	
TM/M8/110	9459118118200	M8/110 BOLT & 16MM FERULE TM FIX	
TM/M8/120	9459128128200	M8/120 BOLT & 16MM FERULE TM FIX	
TM/M8/130	9459138138200	M8/130 BOLT & 16MM FERULE TM FIX	
TM/M8/150	9459158158200	M8/150 BOLT & 16MM FERULE TM FIX	

Ordering details

Item	Article Number	Description	Diameter	Projection	Overall Length	Fixing Centres
ACCESSORIES - GLASS FIXINGS - sold as a pair						
GF32/M8/50 RND	9459503288301	32 DIA RND GLASS FIXING PAIRS				
ACCESSORIES - GLASS FIXINGS - sold as a pair						
GDF32/M8/50 PSS	9459503288102	32MM GLASS DISK FIX PSS PAIR M8X50MM				
GDF32/M8/50 SSS	9459503288101	32MM GLASS DISK FIX SSS PAIR M8X50MM				

Any questions? We would be happy to advise you.

dormakaba Australia | info.au@dormakaba.com | T 1800 675 411 | www.dormakaba.com.au
dormakaba New Zealand | info.nz@dormakaba.com | T 0800 436 762 | www.dormakaba.co.nz